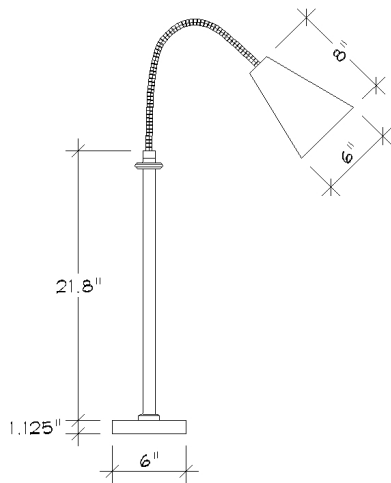




Model 9641

Model 9642

HEAT LAMP



9641



9642

When both style and function are demanded, these lamps provide precise heating in an attractive contemporary design. Perfect for action stations as well as with buffet operations.

Standard Features:

- ✓ Self standing with heavy round base to prevent tipping over and slides beneath the carving board
- ✓ Flex-neck lamp provides self control of the heat and light where needed
- ✓ On/Off switch conveniently located on post
- ✓ Standard Food Safe bulbs included
- ✓ 72" long cord

Options:

- Choice of single or double lamps
- Stainless steel sphere lamp shade is available in highly polished or satin finish
- Optional powder coated finishes are available in a variety of colors
-

Accessories:

Portable base with gravy lane set into a stainless steel frame :

- # 9655 solid surface / stone carving board
- # 9655EL solid surface / stone carving board with electric heating element
- # 9653 wooden butcher block board

Model 9641 120/60/1 250 Watts (2.1 Amp) NEMA 5-15 Shipping Wt 15 lbs.

Model 9642 120/60/1 500 Watts (4.2 Amp) NEMA 5-15 Shipping Wt 18 lbs.